

EcoAccent

EcoAccent is the new LED solution for shop targeting energy saving . The system efficacy is 75lm/W in average, indicating more than 30% energy efficient compared to CDM solution.

The compact design of EcoAccent is another unique selling proposition, thanks to the excellent thermal design eliminating the cooling fan.



Benefits

- Diversity: plenty of choices on form factor, lumen output and optics
- Energy saving: >30% energy efficient compared to CDM solution
- Competitive price: 1 on 1 replacement over conventional CDM light

Features

- System efficacy up to 85 lm/W
- CRI 80, CRI 90 optional for 3000K (CrispWhite Tech)
- High reliability, 30k hours (L70@25deg)

Applications

- Flag ship store
- Museum
- Hotel



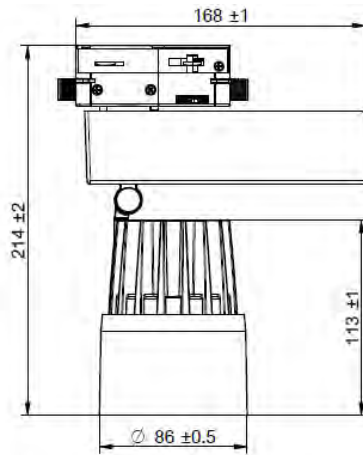
Specifications

	EcoAccent
Type	ST291T (Track) / RS291B (Recessed)
System lumen output	1000lm, 2000lm, 3000lm, 3900lm
Voltage	220-240V 50/60Hz
Power consumption	13W / 28~29W / 38~42W / 47~50W
Efficacy	70lm/W ~ 85lm/W
Power factor	0.9
LED driver	Fixed output
SDCM	<=5
CRI	80 (90 optional for 3000K)
Color temperature	3000K / 4000K / CW – CrispWhite (CRI90) for 3000K only
Form factor (Track)	ST291T EH-C; EH-N; EH-O; PR-C; SB-O (refer to the picture next page)
Form factor (Recessed)	RS291B (refer to the picture in page 4)
Materials and finishing	Optics: MCPET high reflectance film, , PMMA diffuser with high haze and light transmission
Lifetime	30,000 hours (70% lumen maintenance @ Ta = 25°C)
Working Temperature Range	- 20°C < Ta < 40°C
Cut-out (Recessed)	125mm (1000lm; 2000lm) / 175mm (3000lm; 3900lm)
Dimension	Refer to next page
Weight	ST291T EH-C: 0.86~1.00KG ST291T EH-N: 0.85~0.95KG ST291T EH-O: 0.90~1.00KG ST291T PR-C: 0.85~0.98KG ST291T SB-O: 0.92~1.03KG RS291B LED10&LED20: 0.85KG RS291B LED30&LED40: 1.52KG
IP rating	IP20
Certifications	CB, CCC

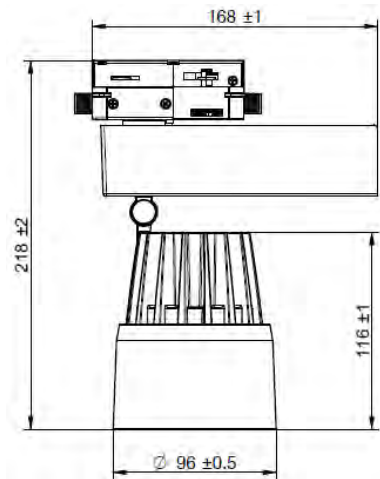
EcoAccent - Dimension



A: EH-C



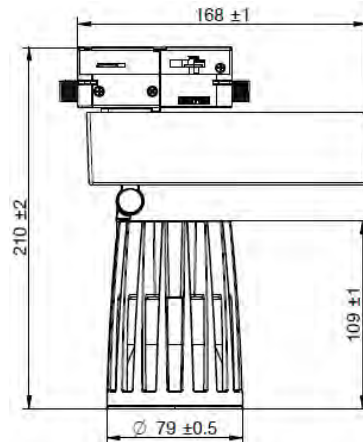
LED10 & 20



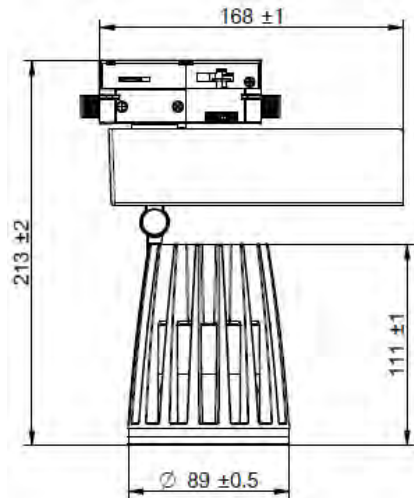
LED30



B: EH-N



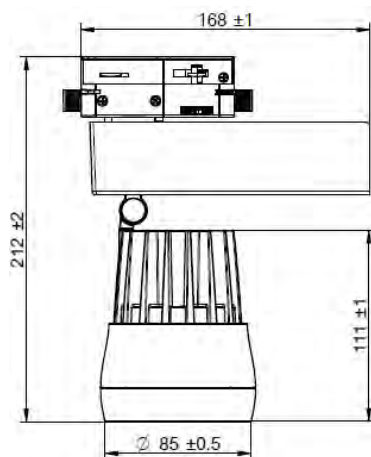
LED10 & 20



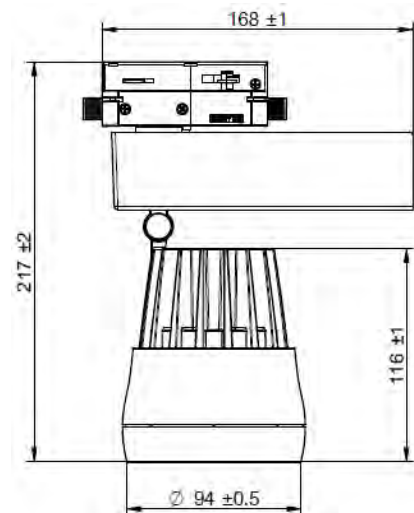
LED30 & 40



C: EH-O



LED10 & 20

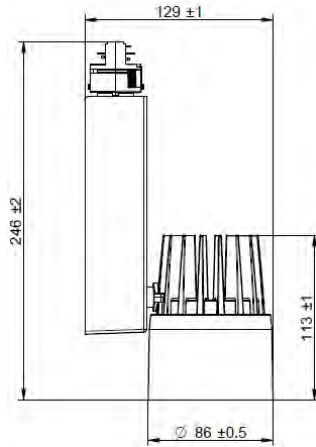


LED30

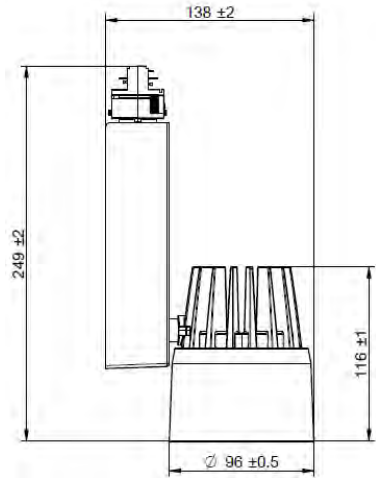
EcoAccent - Dimension



D: PR-C



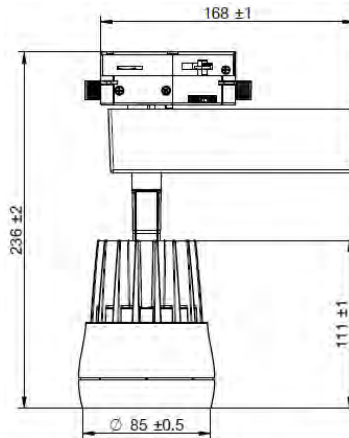
LED10 & 20



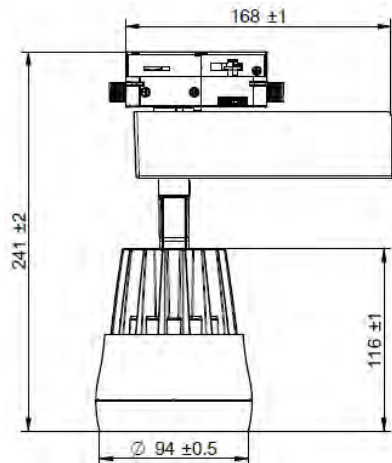
LED30



E: SB-O



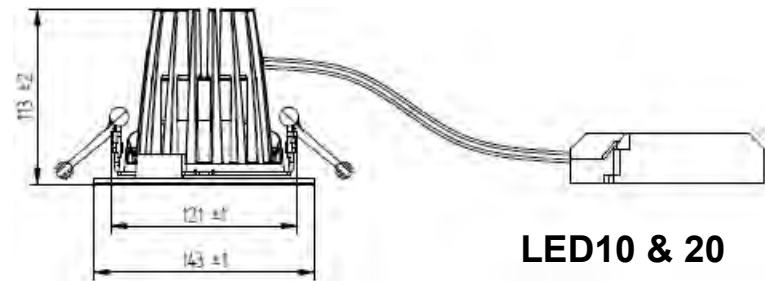
LED10 & 20



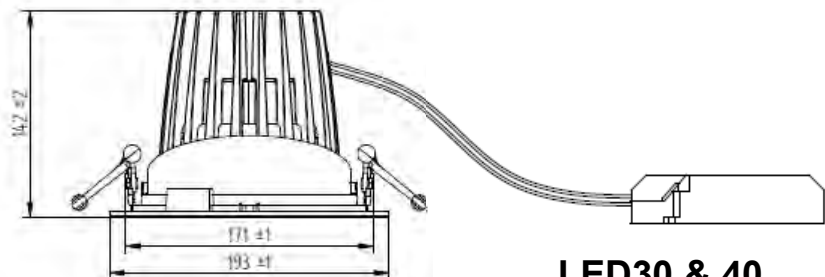
LED30



**Recessed
- RS291B**



LED10 & 20



LED30 & 40

Ordering information

12NC	Product Description
911401506321	ST291T EH-C LED10/840 PSU-E WB WH
911401506421	ST291T EH-C LED10/840 PSU-E MB WH
911401506521	ST291T EH-C LED10/840 PSU-E NB WH
911401506621	ST291T EH-C LED10/830 PSU-E WB WH
911401506721	ST291T EH-C LED10/830 PSU-E MB WH
911401504421	ST291T EH-O LED20/830 PSU-E WB WH
911401504521	ST291T EH-O LED20/830 PSU-E MB WH
911401505121	ST291T EH-C LED30/840 PSU-E WB WH
911401505321	ST291T EH-C LED30/840 PSU-E NB WH
911401505421	ST291T EH-C LED30/830 PSU-E WB WH
911401505521	ST291T EH-C LED30/830 PSU-E MB WH
911401510421	ST291T EH-N LED40/840 PSU-E WB WH
911401510521	ST291T EH-N LED40/840 PSU-E MB WH
911401510621	ST291T EH-N LED40/840 PSU-E NB WH
911401510721	ST291T EH-N LED40/830 PSU-E WB WH
911401510821	ST291T EH-N LED40/830 PSU-E MB WH
911401510921	ST291T EH-N LED40/830 PSU-E NB WH
911401507021	ST291T SB-O LED30/840 PSU-E MB WH
911401507121	ST291T SB-O LED30/840 PSU-E NB WH
911401507221	ST291T SB-O LED30/830 PSU-E WB WH
911401507321	ST291T SB-O LED30/830 PSU-E MB WH
911401508721	ST291T PR-C LED30/840 PSU-E WB WH
911401508821	ST291T PR-C LED30/840 PSU-E MB WH
911401509021	ST291T PR-C LED30/830 PSU-E WB WH
911401509221	ST291T PR-C LED20/840 PSU-E WB WH
911401517121	RS291B LED10/CW PSU-E NB WH
911401503621	RS291B LED20/840 PSU-E MB WH
911401503021	RS291B LED30/840 PSU-E MB WH
911401517221	RS291B LED20/CW PSU-E NB WH
911401503121	RS291B LED30/840 PSU-E NB WH
911401504221	RS291B LED10/830 PSU-E MB WH
911401502521	RS291B LED40/840 PSU-E NB WH

- More options available on request



© 2012 Koninklijke Philips Electronics N.V.
All rights reserved.

Specifications are subject to change without notice. Trademarks are the property of Koninklijke Philips Electronics N.V. or their respective owners.

www.philips.com/lighting

June 2014
Data subject to change